

Series Spec Sheet

RETRO GEN. 2

4" AND 5-6" LED RETROFIT DOWNLIGHT

5 CCT Selectable

This Retro LED downlight offers a simple and economical retrofit solution for all traditional recessed applications. Easy installed with a quick connects wire and the E26 socket adaptor, this LED downlight is ideal for retrofitting into most of traditional 4" and 5"-6" housings, it will be installed in no time. The color temperature can be changed at any time with a simple switch installed on the side of the LED fixture.

FEATURES AND SPECIFICATIONS

• Construction

Physical Characteristics

- White aluminium finish
- Available in round 4" and 5-6"
- Frosted polycarbonate lens
- CCT switch is directly placed on the side of the LED module
- 110° beam angle
- Regressed look to reduce glare

Mounting

- Retrofit in 4" or 5-6" recessed housing
- Easy installation with quick connect wire and E26 socket adaptor

• Performance data

- Available in 2 700/3 000/3 500/4 000/ 5 000 K selectable color temperature
- 90+ CRI
- 120 V
- Estimated life of over 50 000 hours to L70
- Phase cut (ELV / Triac) dimming standard
- Operating temperature: -30 °C to 40 °C (-22 °F to 104 °F)

• Compliances

- cETLus listed for wet locations
- cETLus listed and classified
- Energy Star
- Meets requirements of ICES-005 issue 5 class B for use in residential applications
- Airtight as per ASTM E283 standard



OVERVIEW

Light source	LED
Watts (W)	10, 15
Lumen output (lm)	959 - 1 429
Efficacy (lm/W)	85 - 105
Color temperature (K)	2 700/3 000/3 500/4 000/5 000
CRI	90+



quick
ship



LED
fixture



dimmable
fixture



airtight



wet
location



ICES
005



QUICK SHIP AND TECHNICAL SPECIFICATION TABLE

Order code	Model number	Watts (W)	Volts (V AC)	Color temp. (K) ¹	Lumen output (lm) ²	Efficacy (lm/W)	CRI	Life L70 (hrs) ³	Beam angle (°)	Finish	Power factor	Case qty (master)
4"												
70399	RDL4R-G2-10A-5CWH	10	120	2 700/3 000/3 500/4 000/5 000	820	82	90+	50 000	110	White	>0.9	32
5-6"												
70400	RDL6R-G2-15A-5CWH	15	120	2 700/3 000/3 500/4 000/5 000	1 250	83	90+	50 000	110	White	>0.9	32

¹ Typical color temperature range: +/- 5 %.

² Lumen values are derived from Energy Star reported data. Initial lumens range: +/- 10 %.

³ Life hours are derived from IESNA LM-80 testing report and projected per IESNA TM-21 extrapolations.

LUMEN SPECIFICATION TABLE

Order code	Model number	Watts (W)	2 700 K		3 000 K		3 500 K		4 000 K		5 000 K	
			Lumen output (lm)	Efficacy (lm/W)	Lumen output (lm)	Efficacy (lm/W)	Lumen output (lm)	Efficacy (lm/W)	Lumen output (lm)	Efficacy (lm/W)	Lumen output (lm)	Efficacy (lm/W)
70399	RDL4R-G2-10A-5CWH	10	959	96	993	99	1 033	103	1 048	105	1 007	101
70400	RDL6R-G2-15A-5CWH	15	1 274	85	1 338	89	1 409	94	1 429	95	1 321	88

DEFAULT PROGRAMMING

70399: 2 700 K

70400: 2 700 K

COMPATIBLE DIMMERS

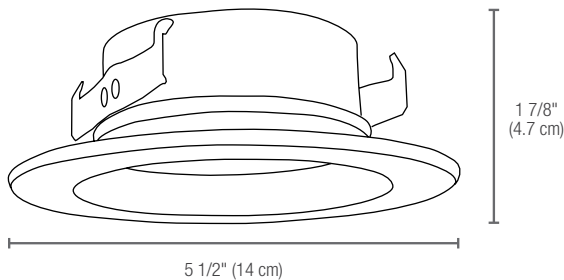
	4"	5-6"
Brand	Model	
Cooper	SLC03P	AAL06, SAL06P3
Leviton	6674, DDMX1, DSL06-1ZL, DSM10-1LZ, IPL06	6674, DDMX1, DSL06-1ZL
Lutron	AYCL-253P, CTCL-153P, DVCL-153P, DVCL-253P, DVRP-253, PD-5NE, PD-6WCL, RRD-6NA, SELV-300P	AYCL-253P ¹ , CTCL-153P, DVCL-153P, DVCL-253P, DVRP-253, PD-5NE, PD-6WCL, RRD-6NA, SELV-300P

Dimming range: 10%-100%

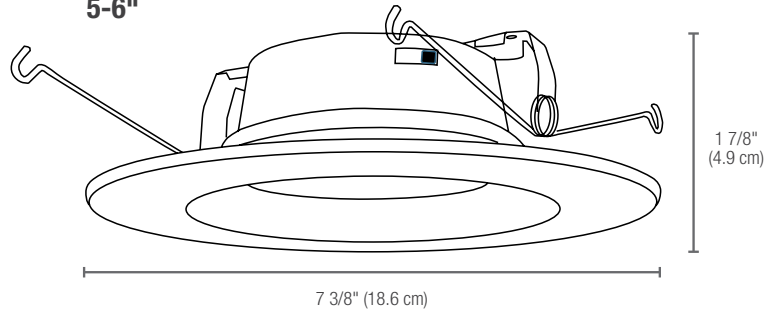
¹ This table shows dimmers that have been tested and have demonstrated proper operation under normal conditions. Each installation being unique, various factors such as load, common neutrals or other electrical products on the circuit can, in certain instances, cause variance in system performance. Read and comply to the dimmer installation instructions. Consult dimming system manufacturer for additional support in operation. Some dimmers may require more than one product for stable operation. Stanpro recommends to use dimmers designed to work with LED products. Older dimmers designed for incandescent products may cause erratic operation.

DIMENSIONS AND WEIGHTS

4"



5-6"



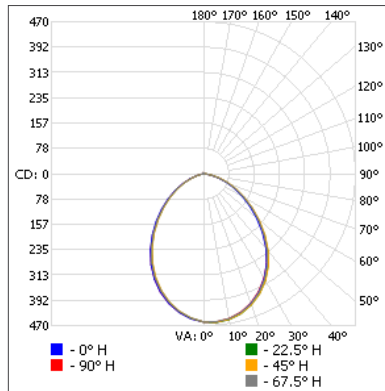
	4"	5-6"
Net weight (lbs)	0.32	0.44

Data is based upon tests performed in a controlled environment. Actual performance can vary depending on operating conditions. All products are subject to change or may be discontinued any time without notice. Please contact your Stanpro customer service representative to confirm inventory levels at time of order.

PHOTOMETRIC DATA¹

70399 • RDL4R-G2-10A-5CWH • 3 000 K • 993 lm

Polar candela distribution



Zonal lumen summary

Zone	Lumens	% Fixture
0-30	338.5	34.1
0-40	533.4	53.7
0-60	851.1	85.7
60-90	133.4	13.4
70-100	46.3	4.7
90-120	1.8	0.2
0-90	984.5	99.1
90-180	8.5	0.9
0-180	993.0	100

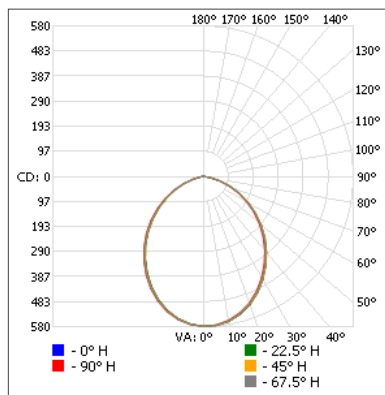
Illuminance at a distance

Center beam fc		Beam width	
1.7'	159	3.4'	3.4'
3.3'	42.1	6.6'	6.7'
5.0'	18.3	10.0'	10.1'
6.7'	10.2	13.5'	13.5'
8.3'	6.65	16.7'	16.7'
10.0'	4.58	20.1'	20.2'

■ Vert. spread: 90.2°
■ Horiz. spread: 90.4°

70400 • RDL6R-G2-15A-5CWH • 3 000 K • 1 337.9 lm

Polar candela distribution



Zonal lumen summary

Zone	Lumens	% Fixture
0-30	428.7	32
0-40	681.7	51
0-60	1 129.1	84.4
60-90	198.3	14.8
70-100	64.7	4.8
90-120	2.4	0.2
0-90	1 327.3	99.2
90-180	10.5	0.8
0-180	1 337.9	100

Illuminance at a distance

Center beam fc		Beam width	
1.7'	200	3.8'	3.8'
3.3'	53.1	7.4'	7.4'
5.0'	23.1	11.2'	11.2'
6.7'	12.9	15.0'	15.0'
8.3'	8.40	18.6'	18.6'
10.0'	5.78	22.4'	22.4'

■ Vert. spread: 96.5°
■ Horiz. spread: 96.6°

¹ Complete IES files available on our website.

Data is based upon tests performed in a controlled environment. Actual performance can vary depending on operating conditions. All products are subject to change or may be discontinued any time without notice. Please contact your Stanpro customer service representative to confirm inventory levels at time of order.